

CARE & FITTING OF YOUR TAP

HS925- ALL MODELS

Pre-Installation Steps: PLEASE READ ALL INSTRUCTIONS PRIOR TO THE FITTING OF YOUR NEW TAP. PLEASE ENSURE YOUR WATER PRESSURE MEETS WITH THE REQUIREMENT OF OUR TAP PRIOR TO FITTING.

Water Regulation Requirements:

It is important to ensure that the water supply to your taps or mixers are connected in accordance with the water regulations (WRAS) and good plumbing practice. It is good plumbing practice that the supplies of both the hot and cold water to the kitchen mixer tap are of an equal (Balanced) pressure to provide a consistent flow rate. Supplies should be from a common source, either using mains or tank fed systems. If supplies are not of equal pressure then a Non-return valve should be fitted to the cold water inlet flexi-tail.

It is our recommendation and good plumbing practice that service valves/isolators (not supplied) be installed in the water supply before reaching the flexi-tails. This will allow complete water isolation to the tap should you need to do so.

1. Make sure that both hot and cold water supplies have been fully isolated and drained prior to the installation of your new tap.
2. Rotate the spout and body so that the tap is facing forwards. The spout screw identifies the rear of the tap. Typically the hot water should be on the left hand side of the tap.
3. Loosely position the tap with the Flexi-tail hanging downwards in order to see if any alteration to existing pipe work is required. If alterations are necessary please undertake these before installing the tap. Please note the pipework for both the hot and cold supplies must be thoroughly cleaned and flushed prior to making any connections to the flexi-tails this will avoid debris or contaminants entering the water system and tap prior to being used. Failure to do this could affect the working parts of your tap.

Installing the tap:

1. Please ensure that your new tap is installed and commissioned for use **by a professional installer**, e.g. a kitchen fitter or plumber.
2. Ensure that a 35mm diameter hole is created or available in either the sink or worktop into which the tap is being installed.
3. Position the O Ring into the main body of the tap (if not already fitted). You may also need to fit the tap support brace.
4. Ensuring that the flexi-tails are correctly fitted (do not over tighten) and are in position, correctly site the tap on to the sink or work surface, using the fixings secure your tap to the sink or work surface being careful to keep the tap in the correct position. Please ensure that only the body of the tap is held (and not the levers or spout) during the installation and securing of the tap fixings
5. When correctly positioned and secure connect the flexi-tails to the hot and cold water supplies. Please ensure that the correct supplies are fed correctly to the appropriate hot and cold flex-tails. (These should also correspond to the appropriate hot and cold tap levers)

Adding Crystal Clarity Water Filter, giving you 'pure' filtered drinking water:

1. Please refer to www.ukhomestyle.com for Crystal Clarity Water Filter feature in order to turn your tap into a fully filtered fresh water tap. Filter kits and filter replacement cartridges can be purchased directly via the website.

Advice, Care & Cleaning:

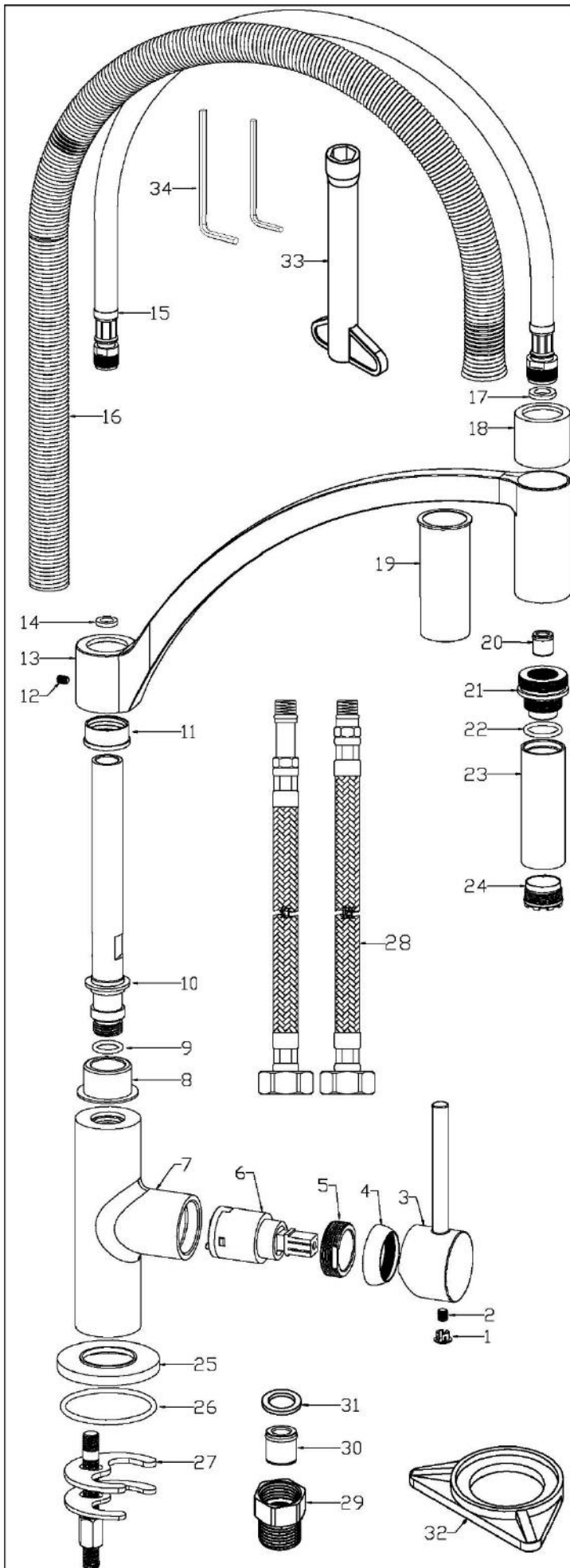
1. Important: when joining any screw connections which will have water flowing through them always use and apply PTFE jointing tape to the threads and ensure connections are tightened (but not over tight which could cause distortion to washers and joints). Once fully tight please check all connections for leaks before fully commissioning your new tap.
2. When fitting flexi-tails to the underside of the tap please hold the body of the tap in one hand and apply the flex-tail with the other hand. (Do not over tighten) as this can cause distortion to the pipes and create leaks.
3. Do not hold or secure the tap by the hot and cold levers at any time during the installation process, this can cause damage to the working parts of the tap and can result in leaks or tap malfunction.
4. Your tap may require non-return valves or isolators in order to conform with local water authority by-laws.
5. Once installed and commissioned turn on both the hot and cold water levers and run the tap for a period of time before turning off, this will help to thoroughly wash and flush away any small particles or contaminants that may have been dislodged from the existing system during the installation process of your tap.
6. Only clean the tap with a soft cloth (non abrasive) and warm water and mild detergent solution, rinse the tap clean afterwards with water, and wipe clean with a soft dry cloth (non abrasive) in order to maintain its finish.

Warranty:

1. Your tap is supplied with a 5 year warranty from date of purchase
2. The warranty covers material and manufacturing defects for genuine faults in domestic households only (wear and tear excluded) Working parts such as valves/cartridges, flexitails and finish are covered from date of purchase for a period of 2 years.
3. The warranty is valid for private dwellings only (domestic) and for the first purchaser of the tap.
4. Warranty claims along with purchase of spare parts can be made via www.ukhomestyle.com or by calling the helpline on 01260 223163
5. Please retain both this instructional leaflet and proof of purchase in order to make a claim or purchase spare parts.
6. Full terms and conditions can be found on our website www.ukhomestyle.com

IN ORDER TO VALIDATE ANY CLAIMS WITHIN THE WARRANTY PERIOD WE KINDLY ASK YOU KEEP BOTH PROOF OF PURCHASE ALONG WITH EVIDENCE THAT THE TAP HAS BEEN INSTALLED BY A SUITABLE QUALIFIED INSTALLER/PLUMBER.

PLEASE RETAIN THIS INFORMATION SHEET FOR FUTURE REFERENCE



35			
34	Allen Key	SUS	2
33	Fixing Tool	Plastic	1
32	Mounting Base	Plastic	1
31	Flat Washer	Rubber	1
30	Check Valve	Plastic	1
29	Adapter	Brass	1
28	Water Inlet	SUS	2
27	Fixation of horseshoe		1
26	O-Ring	NBR	1
25	Base	Brass	1
24	Aerator	Plastic	1
23	Spout	Brass	1
22	O-Ring	NBR	1
21	Connector	Brass	1
20	Check Valve	Plastic	1
19	Spout cover	Plastic	1
18	Spring Tube Cover	Brass	1
17	Flat Washer	Rubber	1
16	Spring Tube	SUS	1
15	Inner Tube	PAX	1
14	Flat Washer	Rubber	1
13	Bracket	Zinc	1
12	Hexagon Socket Screw	SUS	1
11	Spring Pipe Joint	Brass	1
10	Connector	Brass	1
9	O-Ring	NBR	1
8	Cover	Plastic	1
7	Mixer Body	Brass	1
6	Cartridge		1
5	Gland	Brass	1
4	Decorative Cup	Plastic	1
3	Handle	Zinc	1
2	Hexagon Socket Screw	SUS	1
1	Electroplating Button	Plastic	1
No.	Name	Material	Quantity /PCS
Name		Single lever Sink Mixer	
Item No.	TAP CODE : HS925 (ALL MODELS)		